



EVOLVE 2 Touch Screen QSG-Quick Setup Guide

[English](#)

[Deutsch](#)

[Nederlands](#)

[Français](#)

[Español](#)

QUICK SETUP GUIDE ETX-XX40

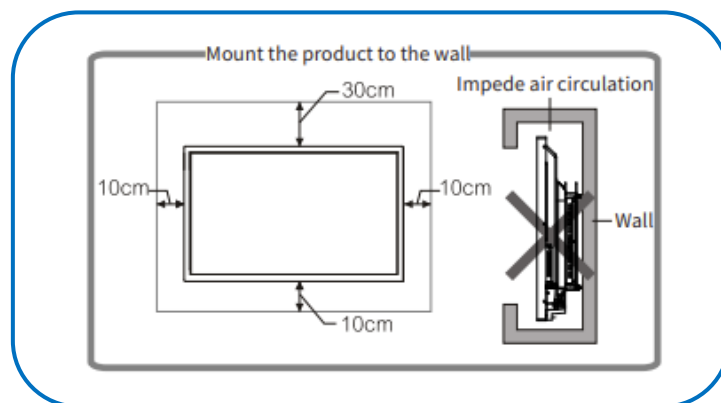
1. INCLUDED WITH THE SCREEN



2. INSTALLATION

2.1 PRECAUTIONS ON INSTALLATION

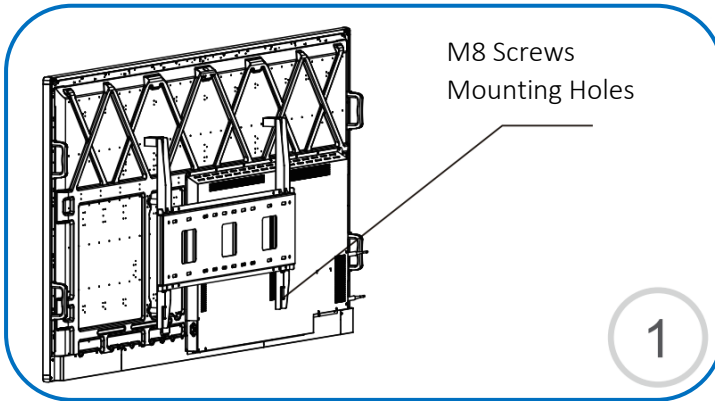
- For the wall mount installation please make sure that two professional installers are available. Net weight 28kg/ 39kg/ 49kg/ 61kg.
- During installation make sure the wall mount is installed on to a firm wall and not on plaster or any other material that is not properly reinforced.
- This product should not be installed on an oblique plane.
- This product should not be installed horizontally, with its front looking upwards.
- To avoid damage of the product or injury, keep the mounting bracket out of children's reach.
- Remember to tighten the mounting screws or place the security lock-bar during installation to avoid product damage or injury.
- As it is shown in the following diagram, ventilation space should be kept around the product for proper operation.



QUICK SETUP GUIDE ETX-XX40

MOUNTING

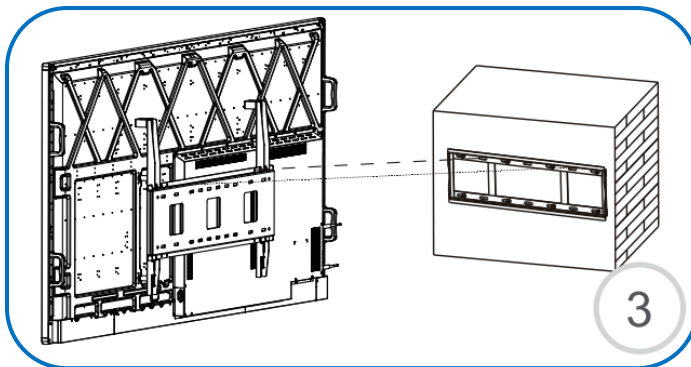
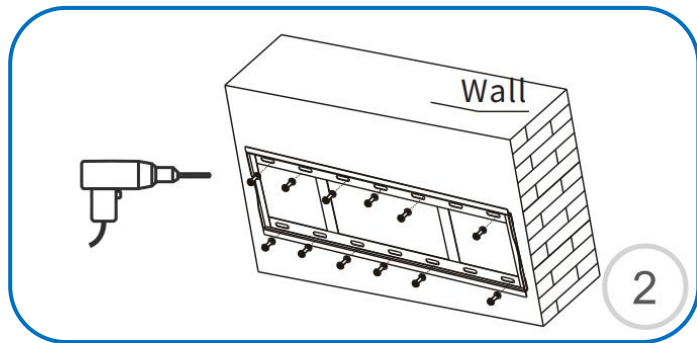
2.2 INSTALLATION PROCEDURE



Four M8 screws corresponding to the size of the VESA holes are used to lock the two vertical bar hangers on the VESA mounting holes on the touch screen's back plate.

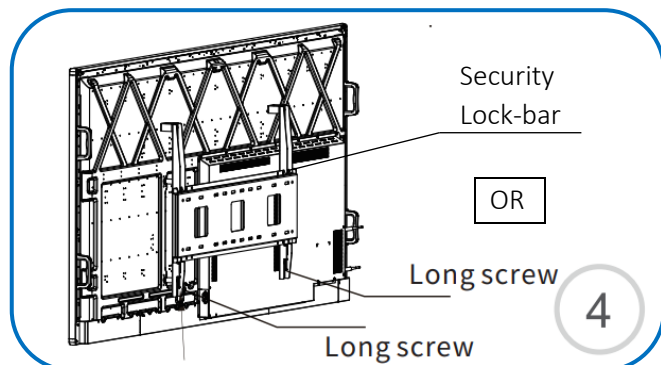
Place and level out the wall bracket, mark and drill the necessary holes. It is recommended to use at least 4 bolts on both sides of the mounting bracket.

A 10mm bit might be required.



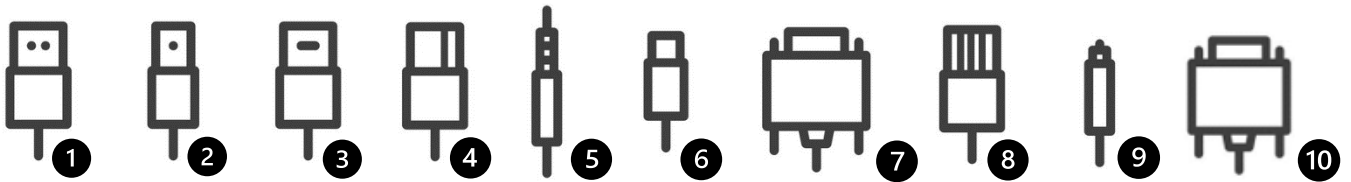
Once the wall bracket is installed and properly secured you may hang the touch screen.

With the screen in place always remember to tighten the security screws on the bottom of the wall mount or slide the locking bar to prevent any security risks.



QUICK SETUP GUIDE ETX-XX40

3. INPUT / OUTPUT CONNECTOR INFORMATION



- | | |
|--|---|
| 1 USB-A 2.0 (x1) / USB-A 3.0 (x5) | 5 Minijack 3,5 Stereo (x1) |
| 2 USB-B 3.0 (x3) (Touch) | 6 USB-C (x2) + USB-C Out (x1) |
| 3 HDMI 2.0 (x3) / HDMI 2.1 Out (x1) | 7 RS-232 (Serial) |
| 4 DP 1.2 (x1) | 8 RJ-45 (x1 IN) / RJ-45 (x1 Out) |
| | 9 SPDIF (Optical Audio) |
| | 10 VGA (x1) |

4. REMOTE CONTROL



- 1** Turn the display ON and OFF.
- 2** **Home:** Head directly to the main home page
- 3** **Source Selection** Displays the input selection screen to select from
- 4** **Navigation Buttons** Easy navigation wheel
- 5** **Select / Confirm:** Confirm your on-screen selection.
- 6** **Back / Return to previous MENU** Returns to the previously selected on screen MENU.
- 7** **Volume Down** Lowers the audio volume.
- 8** **Volume Up** Raises the audio volume.
- 9** **Settings MENU** Direct access to the main settings MENU
- 10** **Mute** mutes the scree's audio